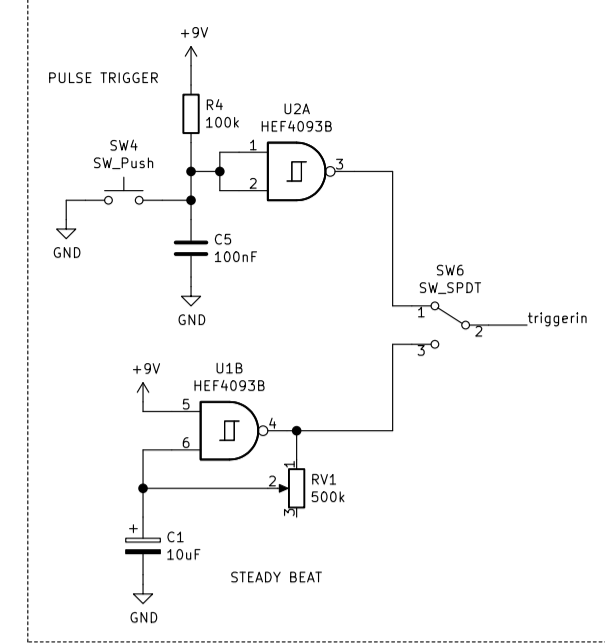
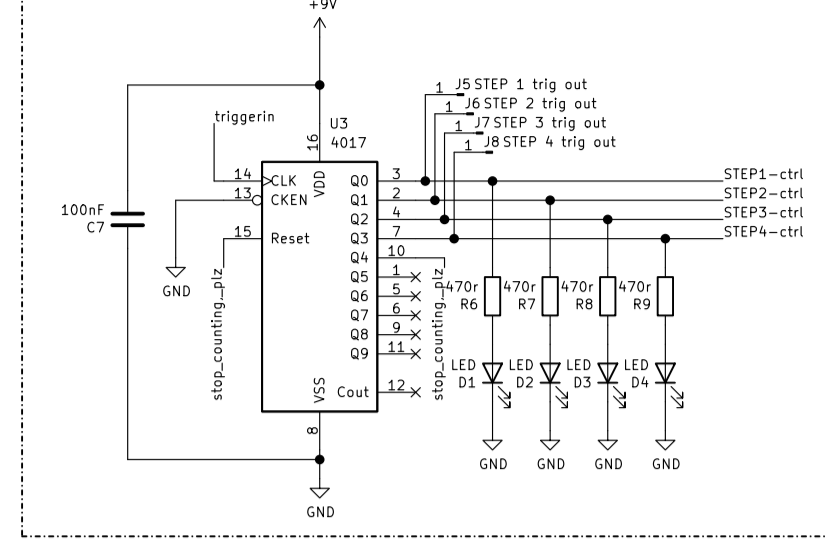


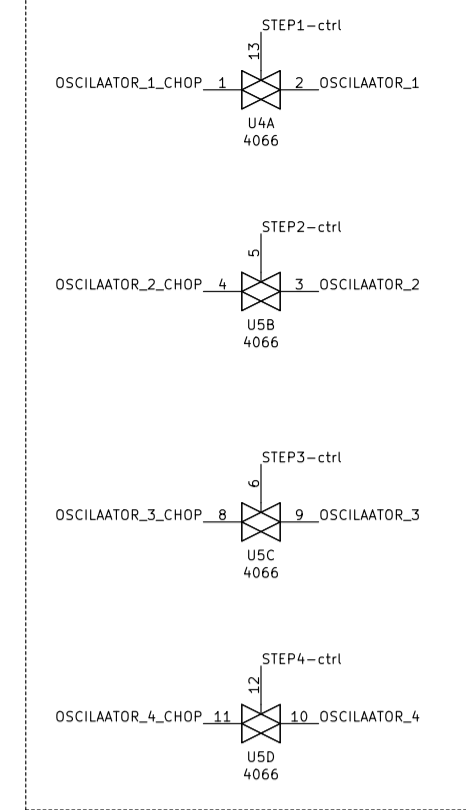
### TRIGGER/CLK



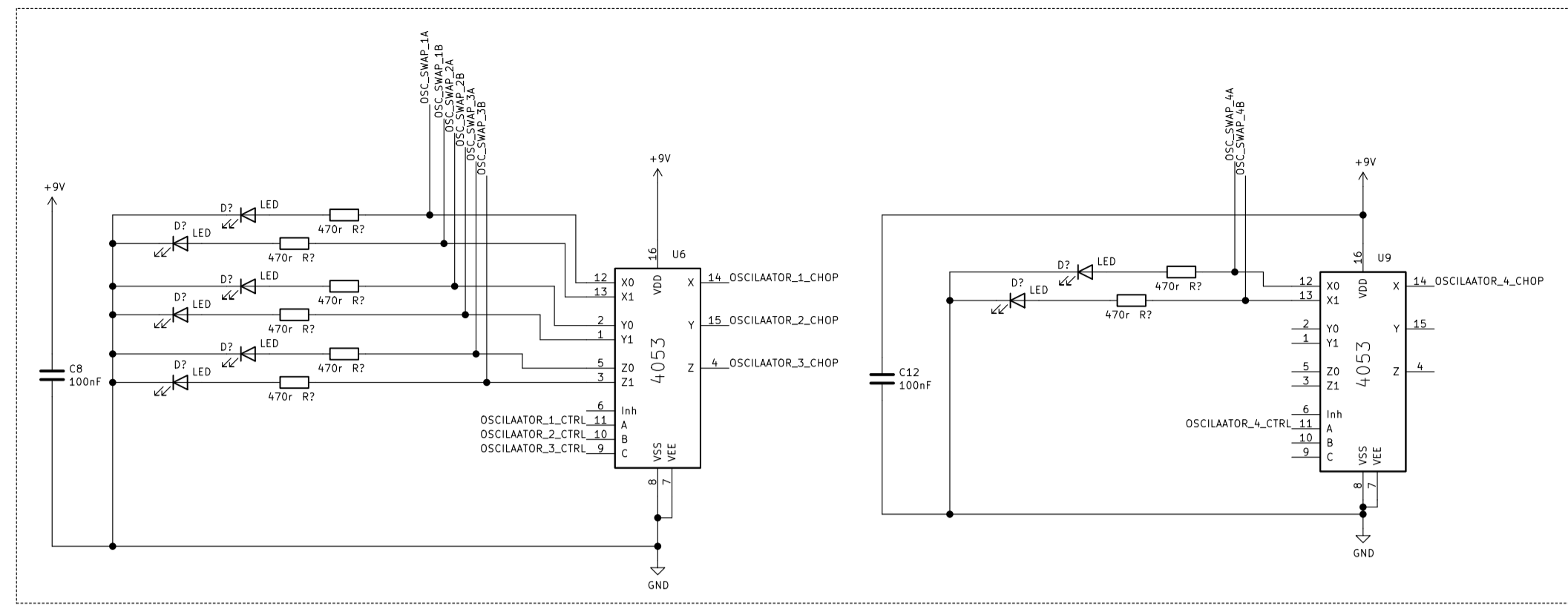
### 4-STEP SEQUENCING



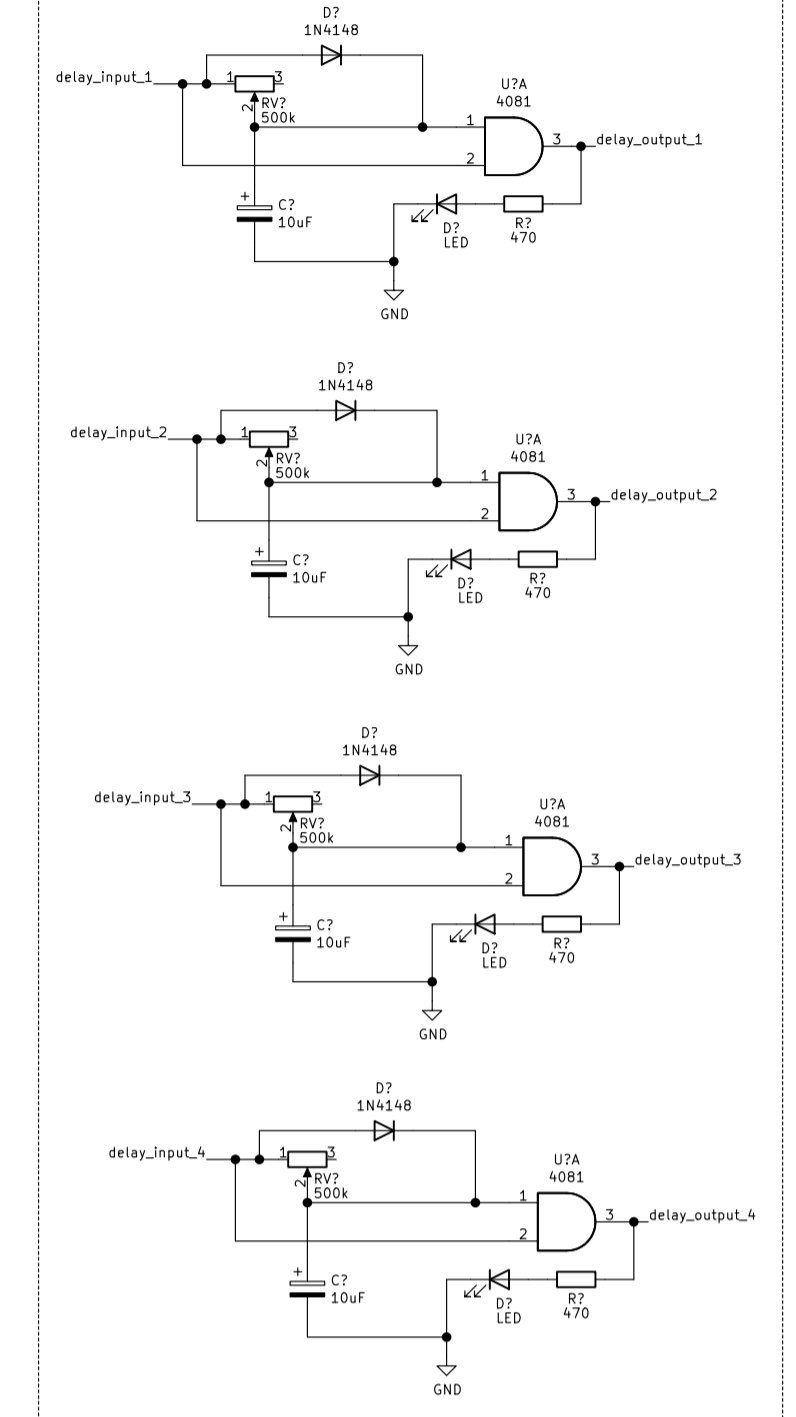
### STEP CTRL



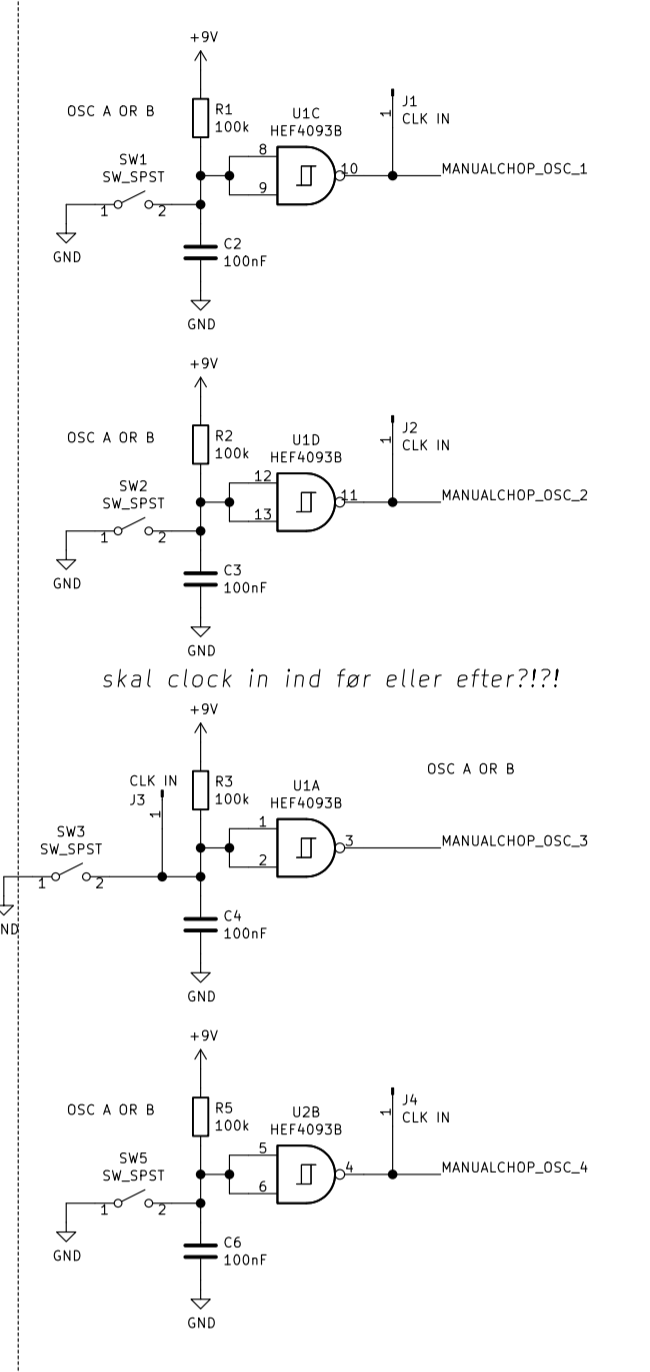
### A/B OSCILLATION CHOP



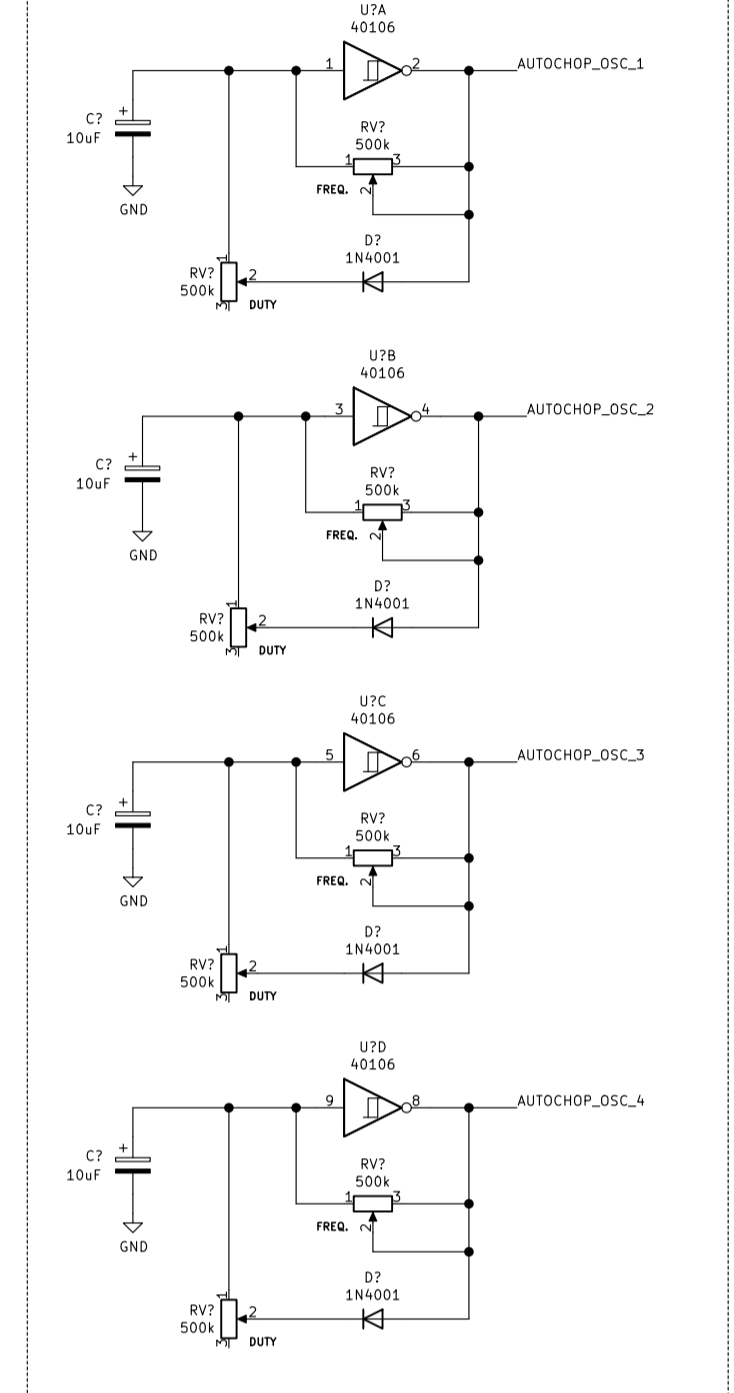
### SIGNAL DELAY



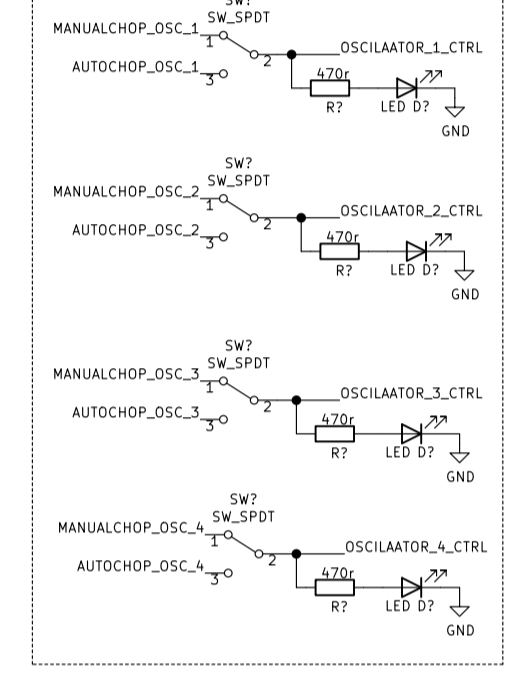
### A/B SELECTA



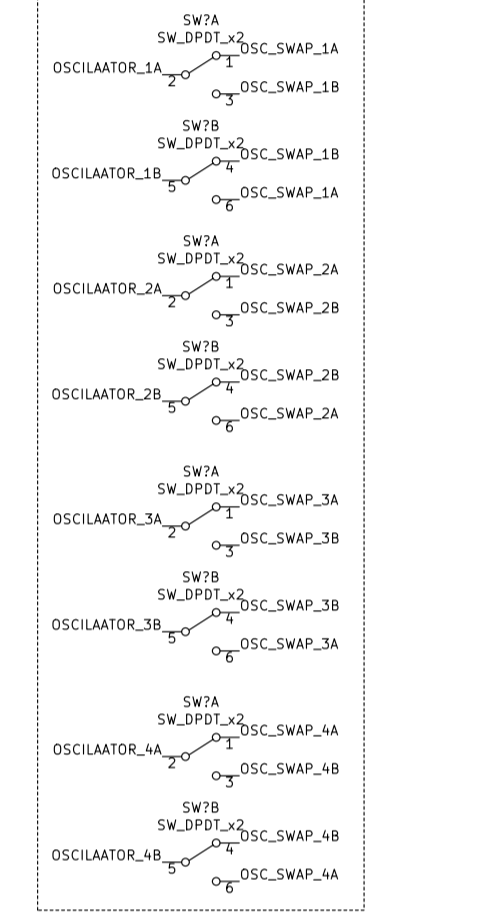
### CHOP AUTOMATION



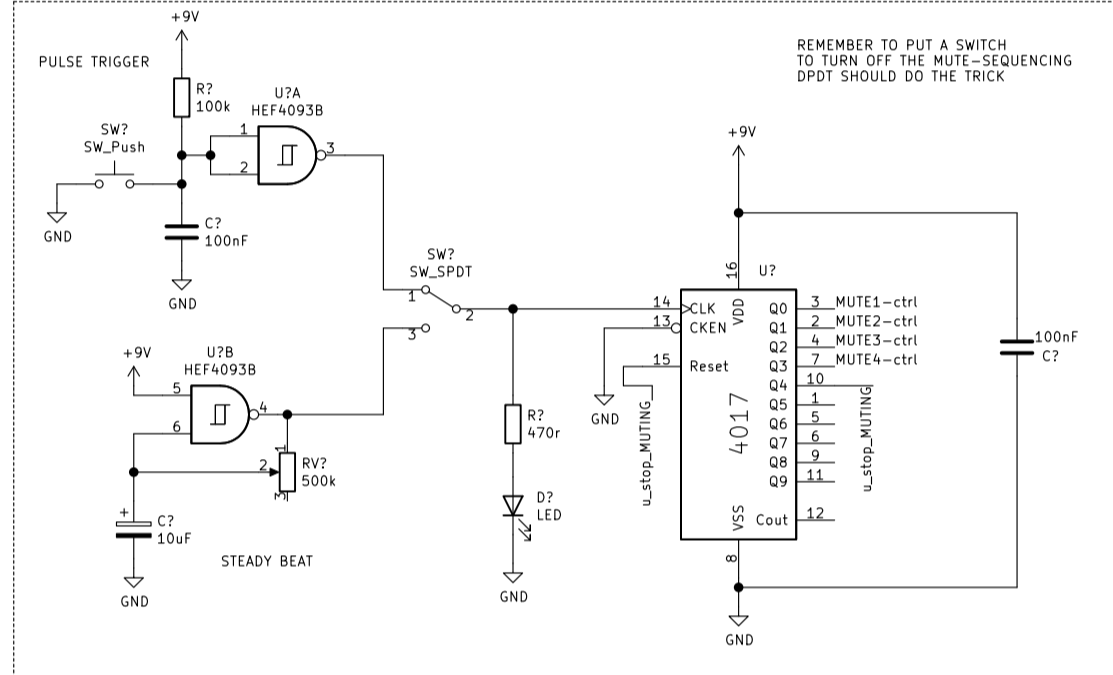
### A/B OR CHOP



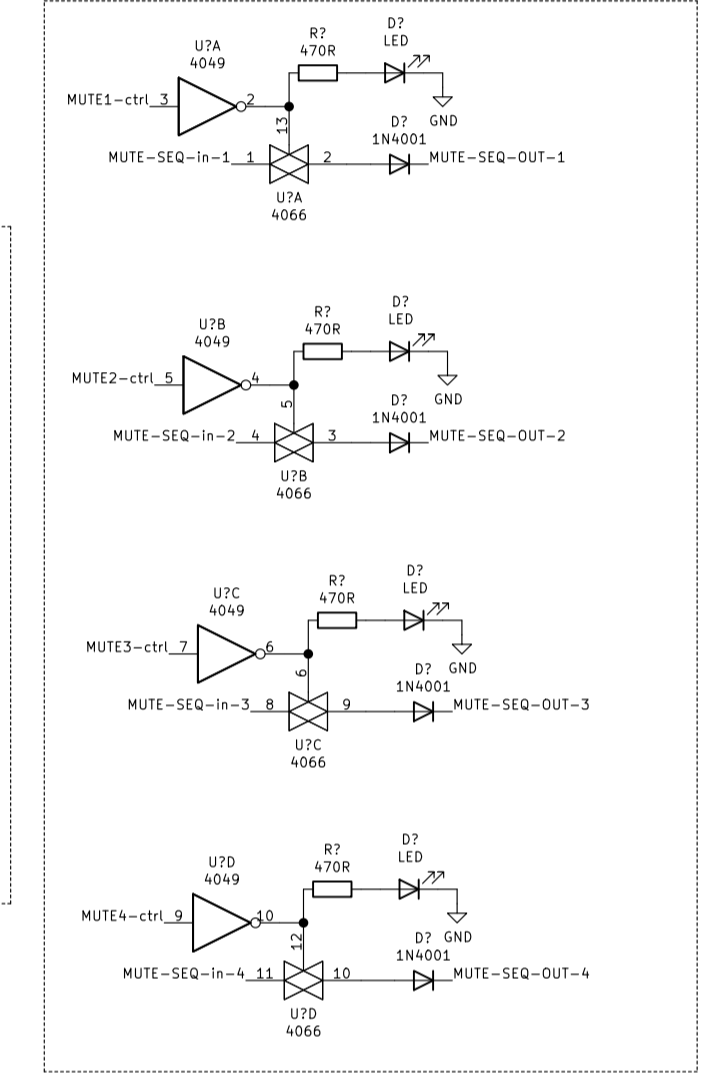
### OSC A/B SWAP



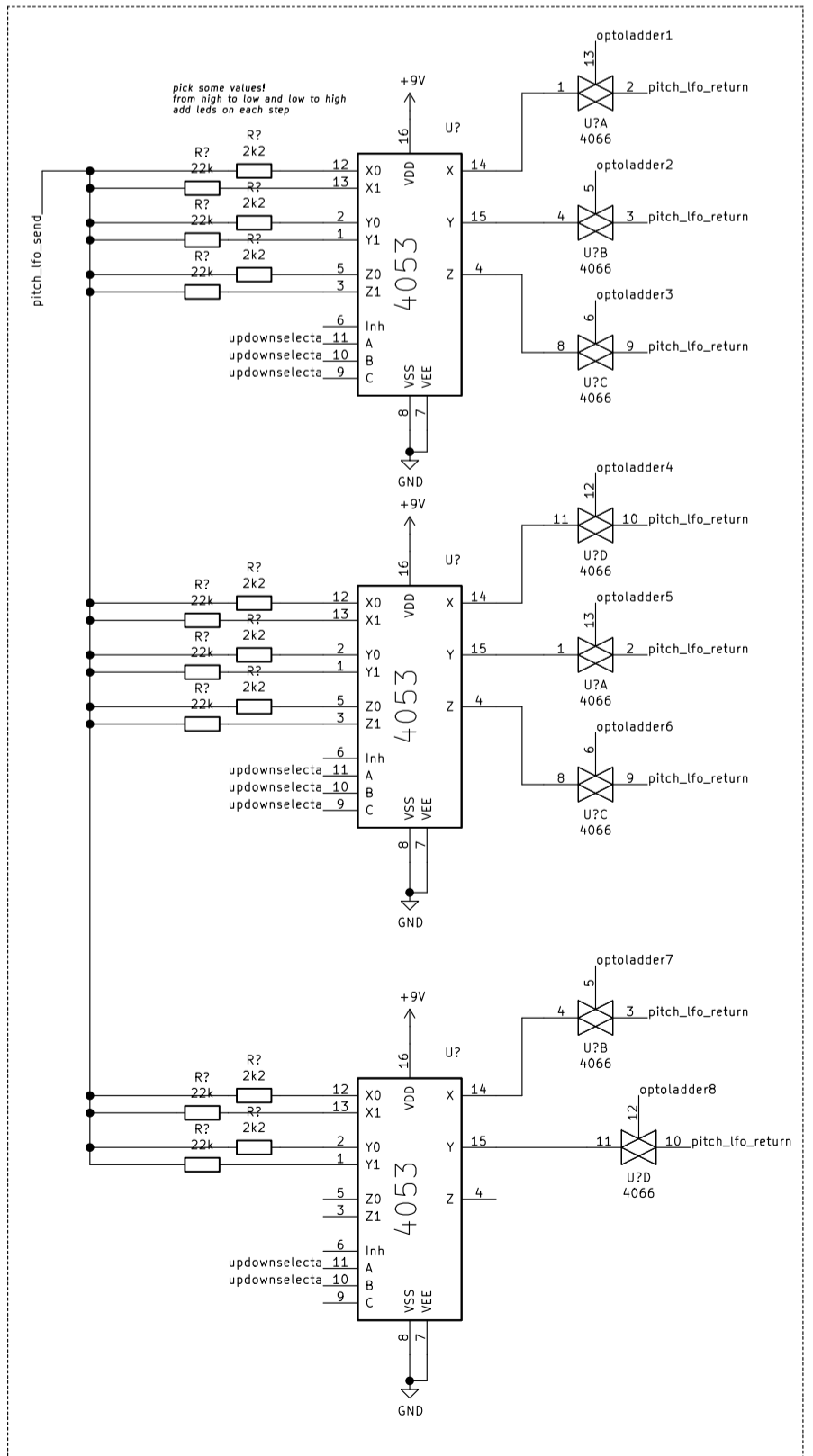
### SEQUENTIAL MUTING



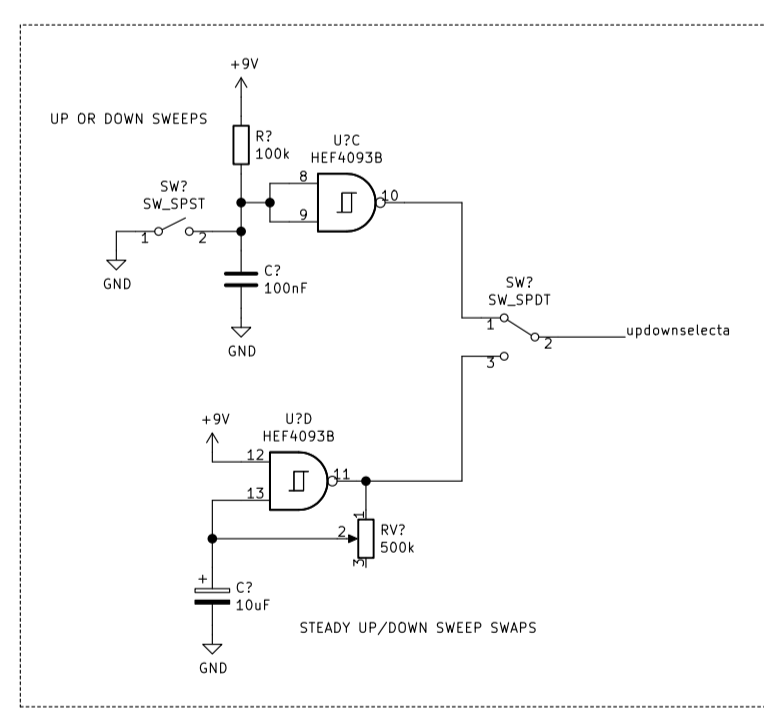
### SEQUENTIAL MUTE I/O



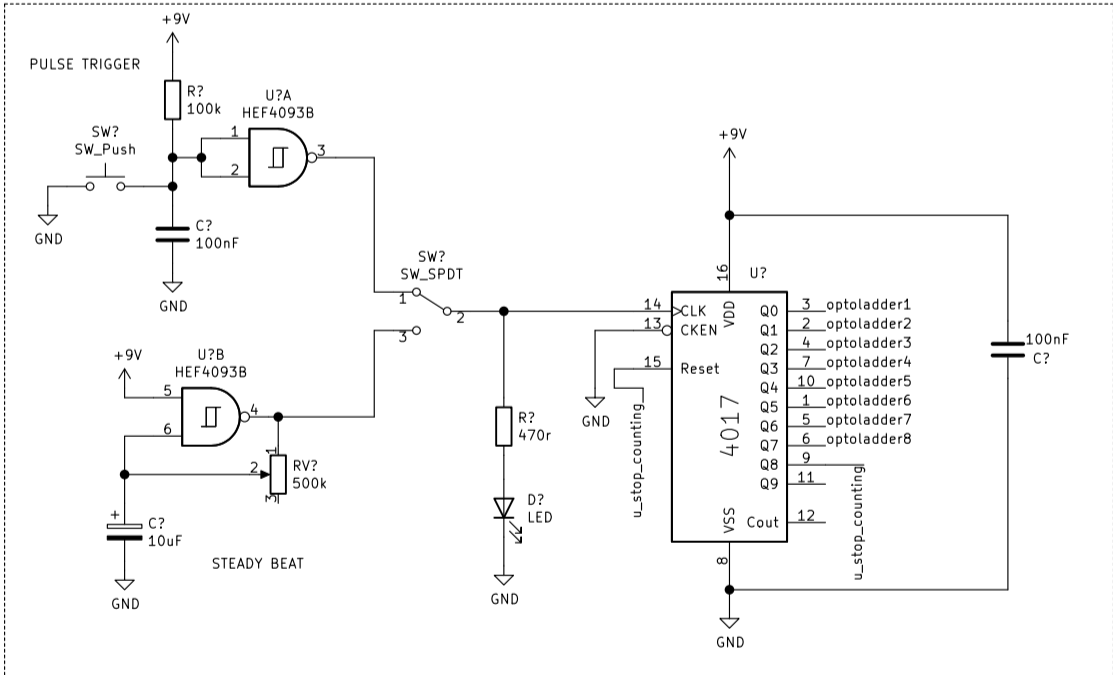
### OPTOCOUPLING R LADDER



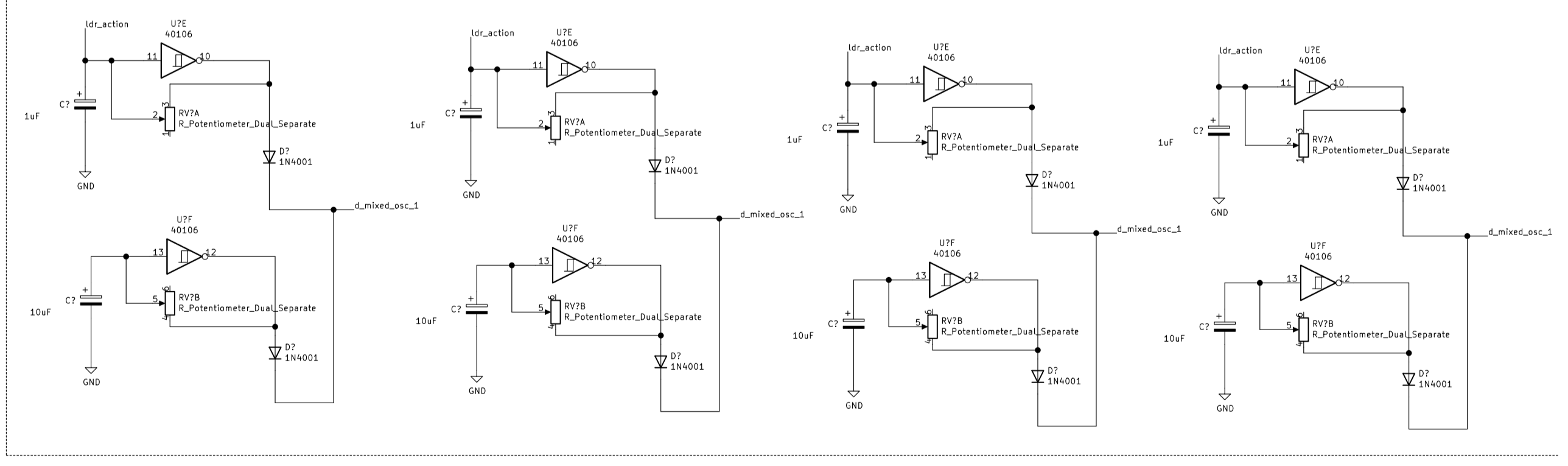
### OPTOCOUPLING CTRL



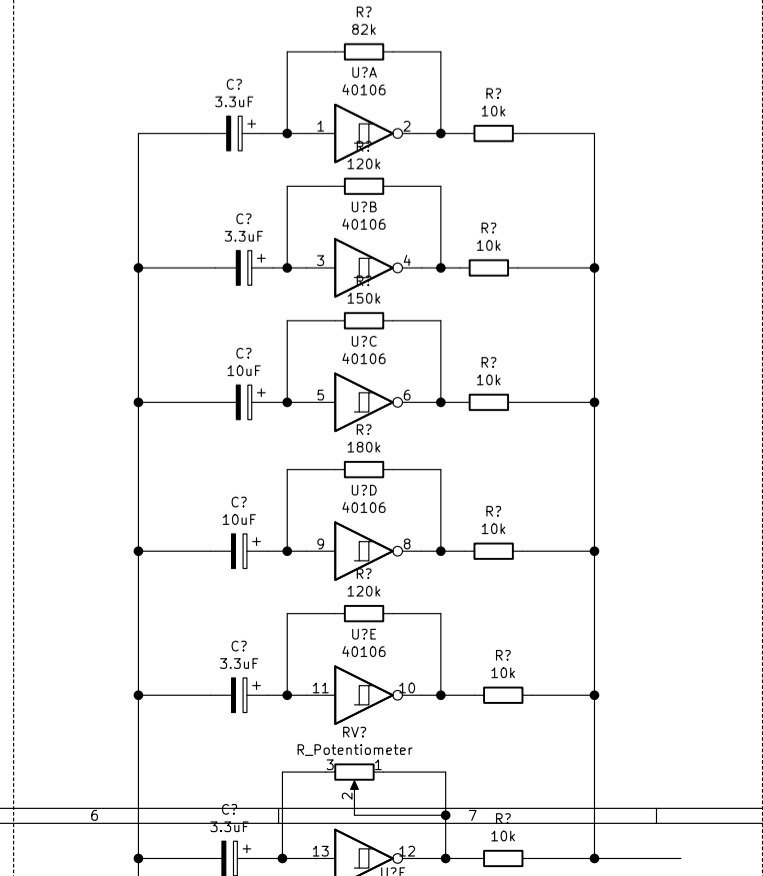
### OPTOCOUPLING SEQUENCING



### DIODE MIXED OSCILLATORZ



### PSEUDO-RND GENERATOR



### BETTER OPTOCOUPLING OSCILLATION

